



SUPPLY MOUNTED EYEWASH w/ DRENCH HOSE PART NUMBER: 01090103

SPECIFICATION:

Third party certified to ANSI Z358.1, the eyewash/drench hose shall deliver 2.4 gpm (9.1 lpm) @ 45/70 psi (310.6/482.6 kPa) of flowing pressure. Unit shall provide a non-injurious stream of water for 15 minutes or longer. Unit shall be supplied with ½” chrome plated (CP) single motion activation stay open ball valve with CP ball. Unit shall include actuator with actuation graphic, 6-foot (182.9cm) coiled drench hose and 7” x 11” (17.8 cm x 27.9 cm) sign. Unit shall be supplied with self-adjusting 2.4 gpm (9.1 lpm) regulator to assure a constant and even dual stream flow pattern under 30/70 psi (206.8/482.6 kPa) hydraulic conditions. Eyewash heads and integral hinged covers to be manufactured of solvent resistant acetal mounted on a chrome plated brass wye. Eyewash covers are provided to inhibit dust and/or contamination when not in use. Eyewash/drench hose units with deteriorating screens/filters are not acceptable.

Encon Safety Products model 01090103 includes supply mounted Eyewash/drench hose unit.

***Note:** Where hazardous materials that are injurious to the skin are used, a proper eyewash or eye/facewash installation with an emergency shower should be considered.

MATERIALS OF CONSTRUCTION:

VALVE: ½” Chrome plated bronze stay open ball valve with chrome plated ball, stainless steel valve stem and stainless steel push plated with actuation graphic.

EYEWASH HEAD: Acetal dual stream heads with integral hinged covers and chrome plated brass wye assembly.

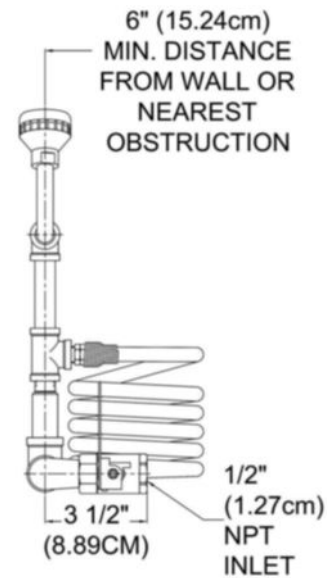
HOSE: 6’ (182.9cm) coiled hose.

REGULATOR: Self-adjusting (2) 1.2 gpm (4.5 lpm) regulators.

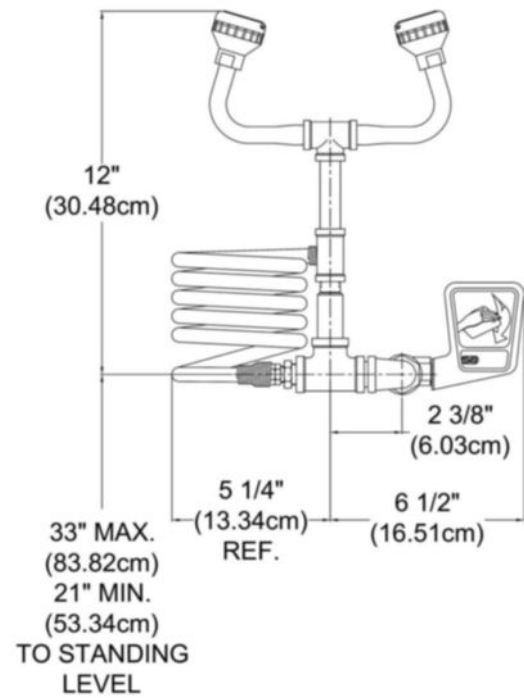
SUPPLY: ½” NPT

WEIGHT: 6 lbs (2.72 kgs)

PRESSURE: Requires 45 psi (310.6 kPa) flowing pressure.



SIDE VIEW



FRONT VIEW