

STF30WB120G



STF60WB120GP



STF30WP120G

**Ordering Information**

Model	Description
STF30WB120C	30 gpm Wall Mount Copper Pipe Brass Valves 120v
STF30WB120G	30 gpm Wall Mount Galvanized Pipe Brass Valves 120v
STF30WB120GP	30 gpm Wall Mount Galvanized Pipe Brass Valves Polane <sup>®</sup> Coated 120v
STF30WB240G	30 gpm Wall Mount Galvanized Pipe Brass Valves 240v
STF30WP120C	30 gpm ABS Case Copper Pipe Brass Valves 120v
STF30WP120CH	30 gpm ABS Heated Case Copper Pipe Brass Valves 120v
STF30WP120G	30 gpm ABS Case Galvanized Pipe Brass Valves 120v
STF30WP120GH	30 gpm ABS Heated Case Galvanized Pipe Brass Valves 120v
STF30WP240G	30 gpm ABS Case Galvanized Pipe Brass Valves 240v
STF60WB120C	60 gpm Wall Mount Copper Pipe Brass Valves 120v
STF60WB120G	60 gpm Wall Mount Galvanized Pipe Brass Valves 120v
STF60WB120GP	60 gpm Wall Mount Galvanized Pipe Brass Valves Polane <sup>®</sup> Coated 120v
STF60WP120C	60 gpm ABS Case Copper Pipe Brass Valves 120v
STF60WP120CH	60 gpm ABS Heated Case Copper Pipe Brass Valves 120v
STF60WP120G	60 gpm ABS Case Galvanized Pipe Brass Valves 120v
STF60WP120GH	60 gpm ABS Heated Case Galvanized Pipe Brass Valves 120v

Recommend use with Encon regulated shower models: 01052522, 01052524, 01050251, 01050260  
Consult with Encon Customer Service for:

- ▼ Additional Indoor units.
- ▼ Freeze Protected products.
- ▼ Shower Drench hose attachment and stainless steel components.
- ▼ Discussion regarding pressure requirements and pressure loss calculations for your facility specific application.

SAF-T-FLO

**Tepid Water**

Encon Safety Products recognizes a target temperature of 85° F as a usable water temperature for emergency equipment over the recommended fifteen minute duration of irrigation time.

The ANSI Z358.1-2009 suggests that emergency equipment “Deliver tepid flushing fluid” (defined in the glossary as “moderately warm, lukewarm”).

## TEPID WATER BLENDING SYSTEM FOR EMERGENCY SHOWER/EYEWASH

©  
S  
A  
F  
-  
T  
-  
F  
L  
O

### SAF-T-FLO Features

- ▼ Highly-visible corrosion resistant enclosure optional
- ▼ Fail-Safe blending to 85°F (29.5°C)
- ▼ Visual operational indicators
- ▼ Temperature gage monitors outlet water temperature
- ▼ Compact size
- ▼ Optional wall mounting bracket allows for wall, stanchion or utility closet installations.
- ▼ Optional heated model for low temperature environments
- ▼ Low-cost solution to tempered water requirements

SAF-T-FLO® is a registered trademark

### Specifications

**Installation:** Inlet and outlet connections are 1" female N.P.T. on 30 gpm models. Inlets are 1.5" on 60 gpm. Power connections are 3/4" female N.P.T.

**Volume:** Models capable of supplying up to 30 gpm or 60 gpm tepid water output when supplied with sufficient minimum volumes of hot and cold water.

**Temperature:** Max. 160°F hot inlet water and max. 75°F cold inlet water produces 85°F outlet water. Temperature gauge and pilot light indicators are included in the system for process monitoring.

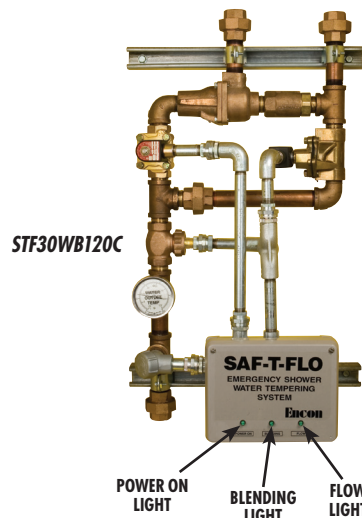
**Pressure:** Requires minimum 40 psi inlet pressure, maximum 80 psi inlet pressure. Pressure requirements vary depending on the volume requirements of deluge equipment and the pipe lengths between Saf-T-Flo® and the delivery equipment.

**Mechanical:** Pipe as detailed by model description. All have coupling connection. Valves are bronze.

**Electrical Requirements:** 120v or 240v, 3 amp circuit.

**Remote Alarm Annunciation Capability:** 120v or 240v, 3 amp maximum.

**Electrical Classifications:** NEMA 4 and CL1 Div. 2 Gr. A,B,C, D for all models indicated.



**Flow Description:** Upon shower, eyewash or drench hose actuation, the flow switch (1-FLS) is changed to a closed position causing the FLOW indicator LED to be lit. When the water from the Saf-T-Flo® is under 92° F(±3°), the control system will close the normally open BYPASS solenoid (1-SOL) and open the normally closed TEPID water Solenoid (2-SOL) allowing water to flow from the blending valve (1-TCV), past the control thermostat (1-TAS). The BLENDING indicator LED will be lit when 2-SOL is open and the unit is blending water. When the water temperature past 1-TAS is over 92° F(±3°) the control system will cause the 1-SOL to open and will close 2-SOL thus bypassing the blending valve until the delivered water then goes below the 92° F(±3°) safe temperature range. If there is no electrical power to the unit the POWER indication LED will not be lit, the solenoid 1-SOL cannot close and the solenoid 2-SOL will not be able to open.

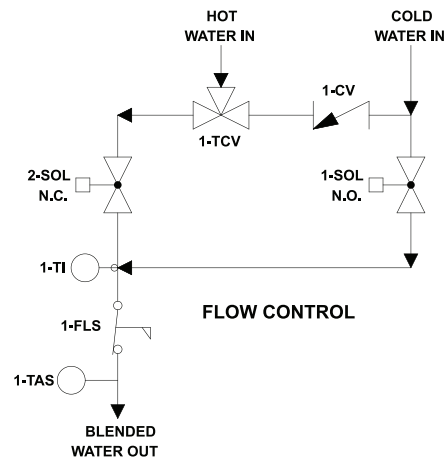
*Note: While the function remains the same, due to continuous product improvements, products may vary from photographs.*

### Feature/Benefit Statements

- ▼ Blends existing hot and cold water supplies to a pre-set, non-adjustable, useable and safe temperature.
- ▼ The electrically controlled and actuated failsafe system includes factory preset thermostat to ensure worker protection.
- ▼ The response to any upset condition is virtually instantaneous because of electrical, not pressure dependant, sensors and controls.
- ▼ Installation of the fully factory assembled Saf-T-Flo® to facility supplied hot and cold water and electricity is easily completed.
- ▼ Saf-T-Flo® is designed with low pressure loss characteristics allowing connection to most standard facility potable water supplies.
- ▼ More than ten years of product installations offers proven reliability.

### It's Fail-Safe. Here's How:

Saf-T-Flo® consists of an intricately-designed network of pipes, valves, temperature monitors and safety features. They work together to ensure accurate and constant temperature control, and maintain a sufficient volume of water. Encon's patented Saf-T-Flo® design offers redundant FAILSAFE protection to ensure supply of uninterrupted water to the downstream emergency equipment in case of mechanical, electrical or component failure.



6825 W. Sam Houston Pkwy. N.  
Houston, TX 77041  
1.800.283.6266  
Fax 713.466.1703  
www.enconsafety.com  
STF0106

**Encon®**  
SAFETY PRODUCTS